



*Specialist Mobile Platforms &
Docking for Fixed Wing Aircraft*

WORLDWIDE

sales@safesmartaviation.com

USA

Los Angeles
310 499 2760

New York
201 783 8836

Australia

Sydney
02 8844 4500

Melbourne
03 8335 0082

Queensland
07 3434 3573

New Zealand
0800 000 448

UK
0845 382 1000

Canada
1 800 667 5155



CAPABILITIES

THE SAFESMART AVIATION CLIENT EXPERIENCE

We know that with the development of every new aircraft comes new challenges for safely accessing it during maintenance and other ground-based activities – new contours, new protrusions for avionics and other equipment and new heights.

To save excess correspondence and time, SafeSmart Aviation employs its own teams for design and manufacturing. For aircraft of any type, we have consulted with clients, designed custom platforms in-house and manufactured the resulting products in-house.

CONSULTATION

Our pre-sales service is where we stand above the rest. In each region SafeSmart Aviation serves, we have qualified representatives who specifically understand the MRO industry and its needs when working at height around aircraft.

We can visit your worksite to assess your hangar or ramp for potential dangers and advise solutions for adding safety and efficiency to your maintenance activities. We will take dimensions of the aircraft on site or via correspondence, consider all sensitive points of the aircraft and brief our design team on the best way to access a specified point or points on the aircraft.

CONCEPT AND DESIGN

Our in-house design team take into consideration all aspects of the aircraft's needs for fast and safe maintenance turnaround times and create a design that perfectly-suits the aircraft – this is whether it is for a full-surround platform or a more specific product to allow access to wheel wells, windscreens, tails, or any other maintenance point.

Using the latest design software, clients are presented with full drawings and interactive CAD files so they can explore the product at all angles prior to sign-off on manufacture.

WHEN IT ALL COMES TOGETHER

Our own fabrication facilities in the USA and New Zealand feature some of the most skilled fabricators and welders with experience in working with many metals—particularly Aluminum—which produces workmanship at welded points and hinged features that are second to none.

Final products are chemically-treated for added weather resistance, carefully packed and shipped to anywhere in the world via our trusted freight partners.

AND THEN SOME

SafeSmart Aviation offers full post-sale support with instructional documentation for assembly and care, onsite visits to assess the effectiveness of the new system and ongoing updates on regulatory changes relating to the airfield's region.

COMPANY PROFILE

SAFESMART AVIATION

SafeSmart Aviation are a global designer, manufacturer and supplier of portable height access systems for the aviation industry, as well as work area management equipment.

In civil, military, search and rescue, and any other industry that relies on well-maintained aircraft for their operations, SafeSmart have become the most-trusted partner in identifying potential dangers for technicians, ground crew and MRO personnel whilst at work on the ground, and solving them with innovative custom designs and premium fabrication workmanship.

SELF-RELIANT, FOR THE CLIENT

SafeSmart Aviation—a division of global work platform maker SafeSmart Access—does not outsource design or manufacturing. Our in-house design team work closely with representatives and their clients, from all around the world, to draft ideas for systems that suit the contours and features of each aircraft.

An understanding of regulatory requirements for working around aircraft in each region bolsters SafeSmart's offering, ensuring that each work platform, set of steps, ladder or any other height access product is compliant, no matter where it is being used.

And SafeSmart's fabrication facilities in New Zealand and the USA operate every day to build high quality portable products that help technicians work at height without fall dangers and subsequent injury and downtime.

TRUSTED ON THE GROUND, FOR SAFETY IN THE SKY

SafeSmart Aviation's client list contains some of the world's most iconic aviation operators and manufacturers. We see ourselves as a critical factor in making sure the work area on the ground is the safest and most efficient it can be, so technicians can make sure that the aircraft itself is the safest it can be.

We have designed and manufactured for clients such as Airbus, Delta, WestJet, Bombardier, United, Qantas, Boeing, US Air Force, CHC, Air Mauritius, Sikorsky, Discovery air Defence, STARS Air Ambulance, Government of Saskatchewan, Air New Zealand, Royal Air Force and many more.



DOCUMENT OVERVIEW

This document provides an overview of our capabilities and example product solutions we have for fixed wing aircraft. The examples displayed on the following pages can be designed and supplied for any aircraft.

Our in-house design team will work with CAD models of the aircraft to fit test products, prior to production. This process ensures a seamless quoting, manufacture and delivery experience for the client.

CONTENTS

ENTRY DOORS

PG 7 - 10

MOBILE DOCKING SYSTEMS

PG 11 - 16

ENGINE ACCESS

PG 17 - 21

LANDING GEAR ACCESS

PG 22 - 23

PYLON ACCESS

PG 24

OVERWING / FUSELAGE ACCESS

PG 25 - 26

TRANSFORMER CABLE ACCESS

PG 27

AVIONICS / E&E ACCESS

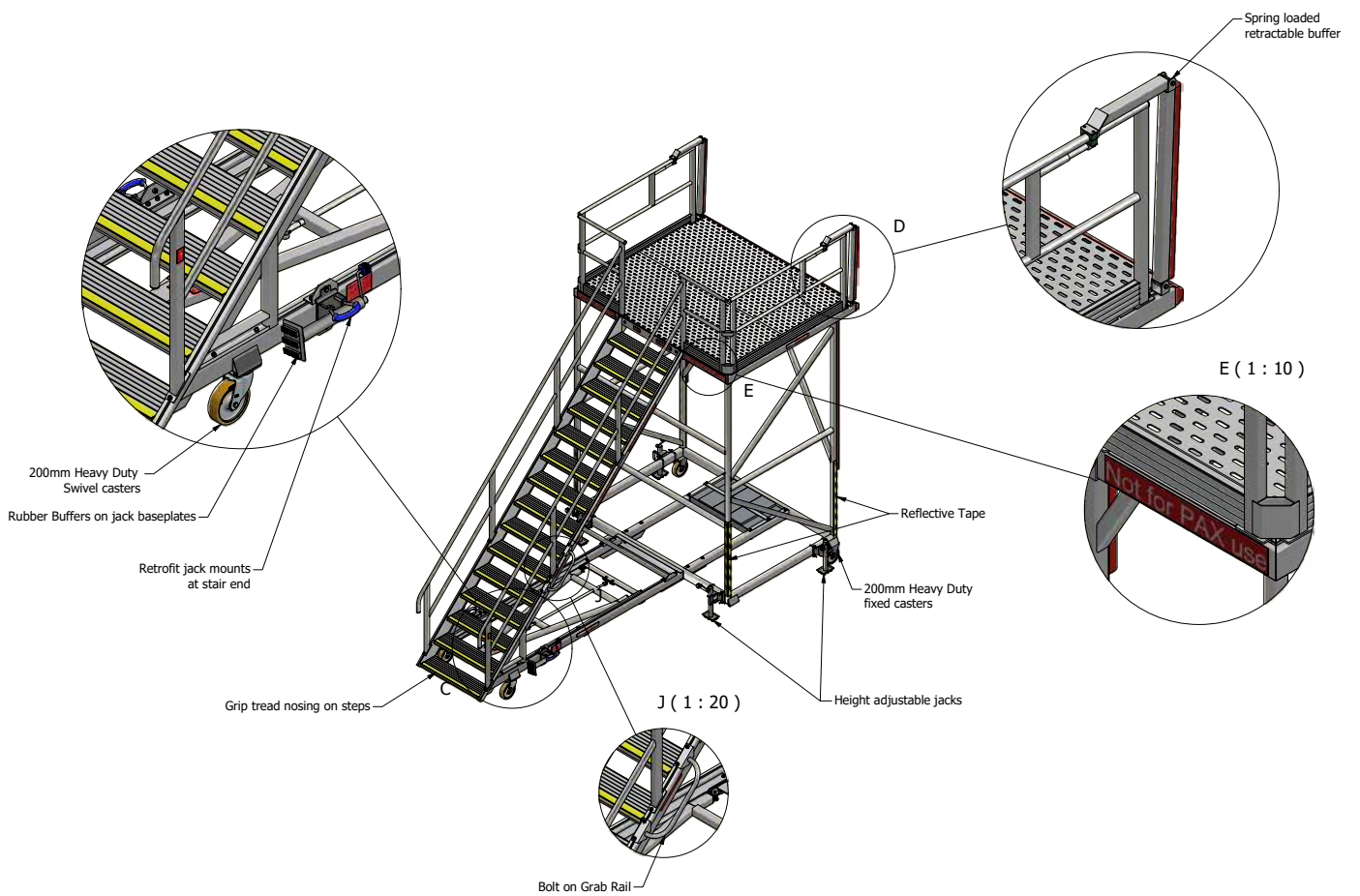
PG 28

ENGINE SHOP PLATFORMS

PG 29 - 33

SAFESMART ACCESS PRODUCTS ENTRY DOORS

MAIN ENTRY DOOR ACCESS STAIRS



SAFESMART ACCESS PRODUCTS ENTRY DOORS

MAIN ENTRY DOOR ACCESS STAIRS



SAFESMART ACCESS PRODUCTS

ENTRY DOORS

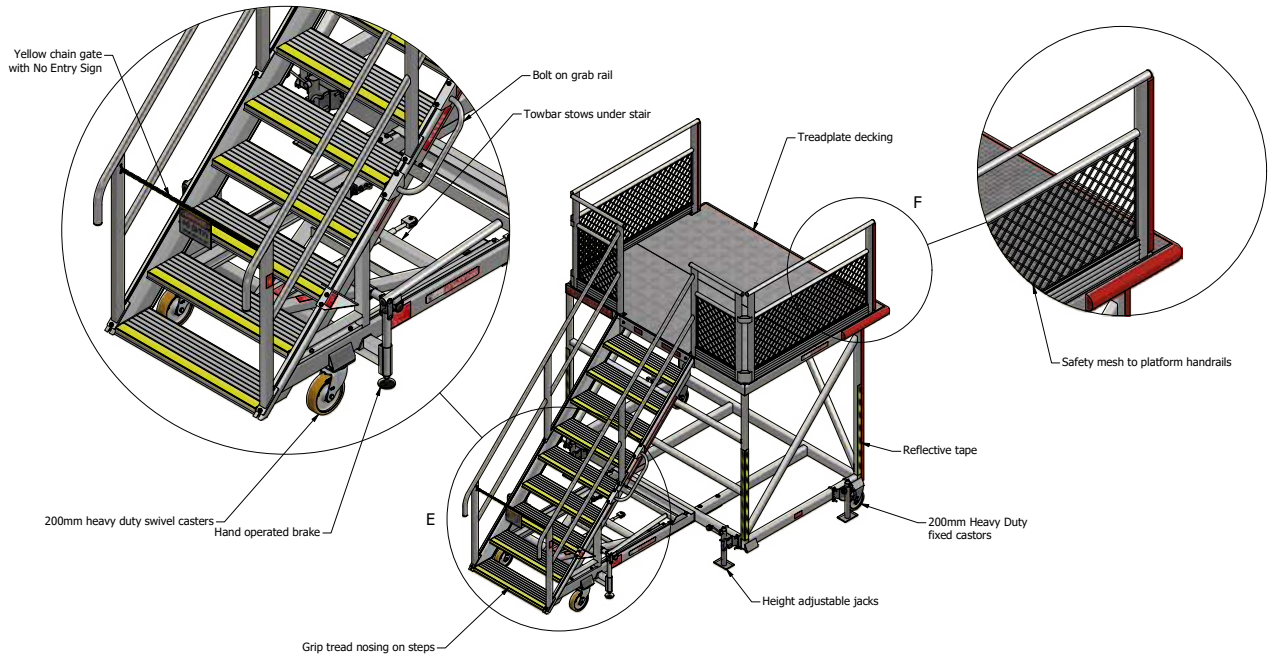
MAIN ENTRY DOOR ACCESS STAIRS



SAFESMART ACCESS PRODUCTS

ENTRY DOORS

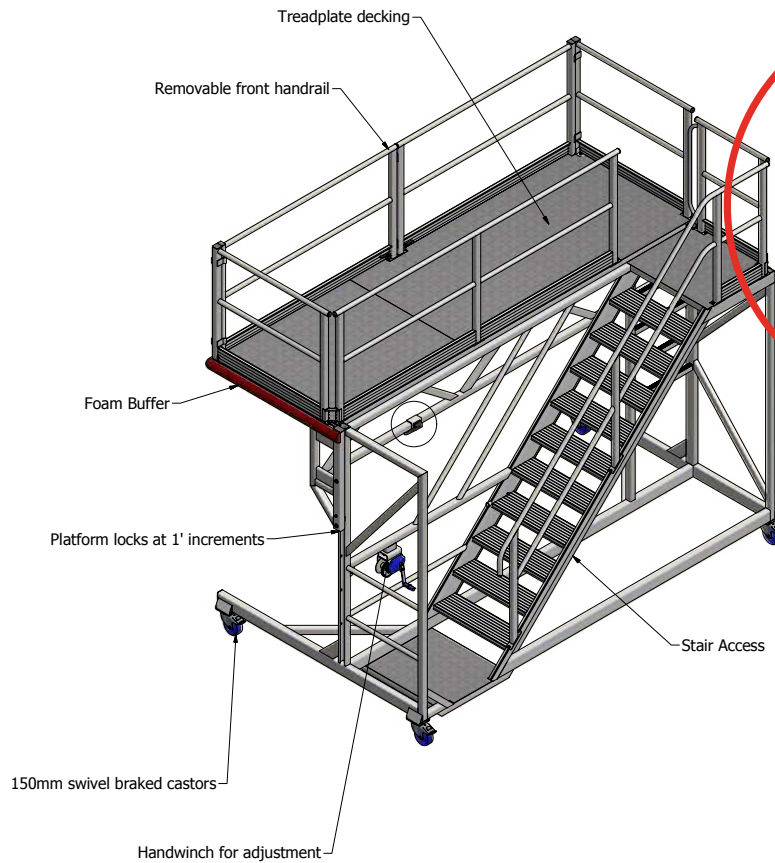
MAIN ENTRY DOOR ACCESS STAIRS



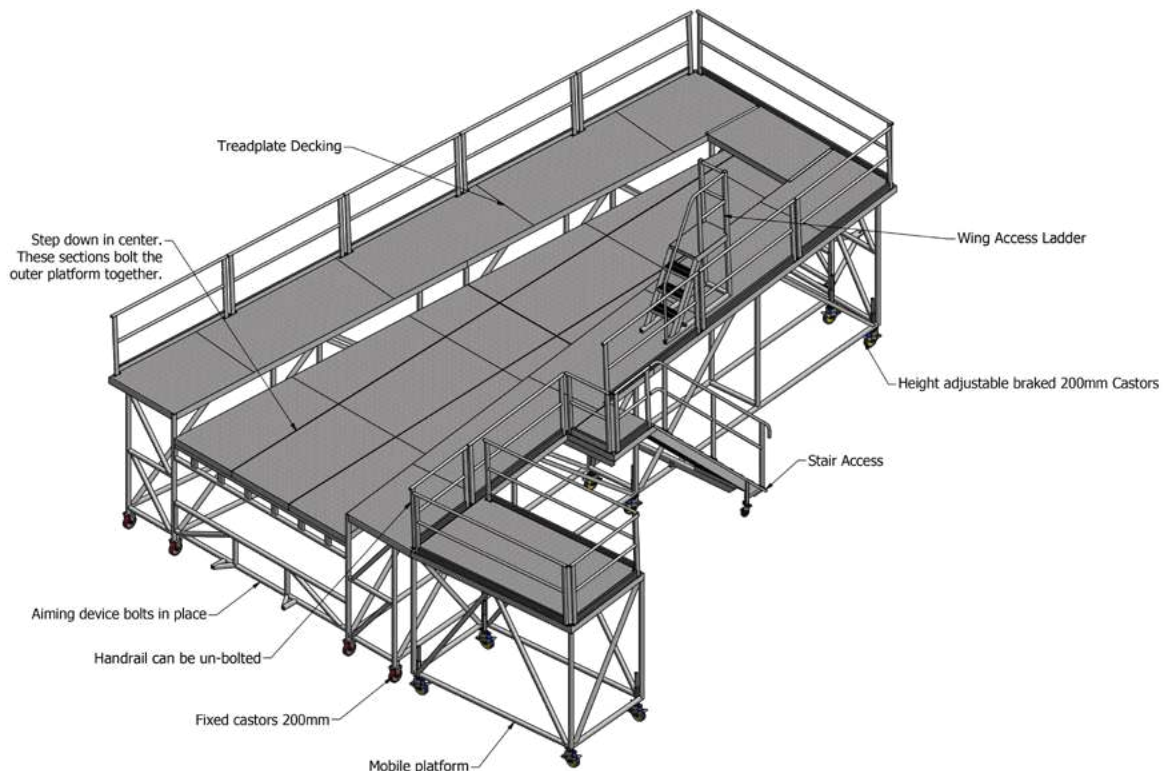
SAFESMART ACCESS PRODUCTS

MOBILE DOCKING SYSTEMS

UNDERWING MOBILE DOCKING



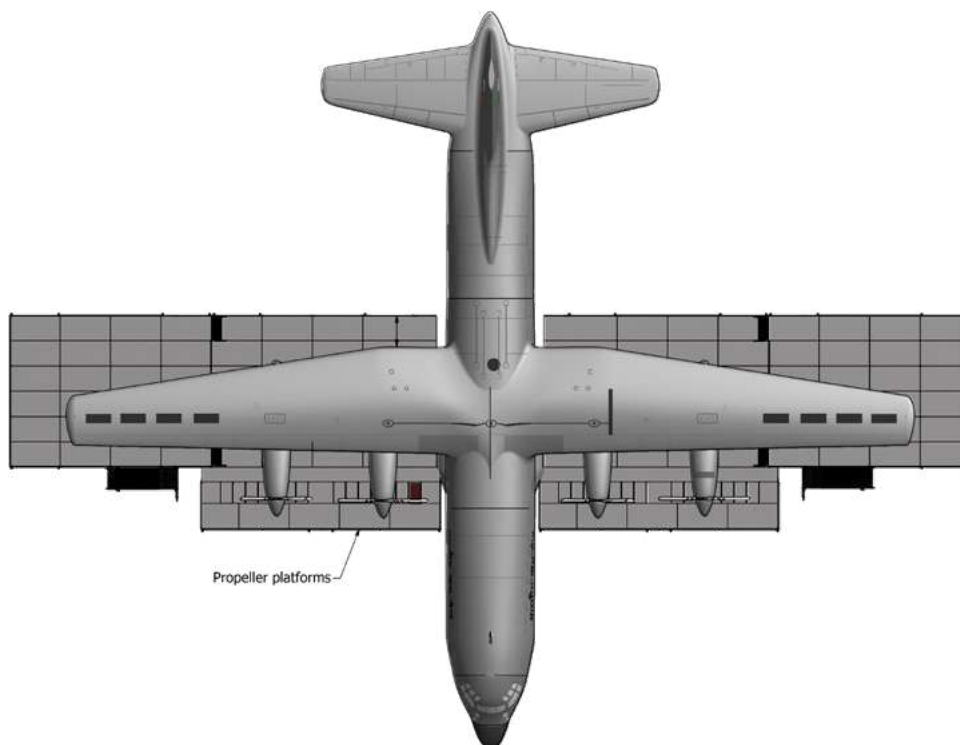
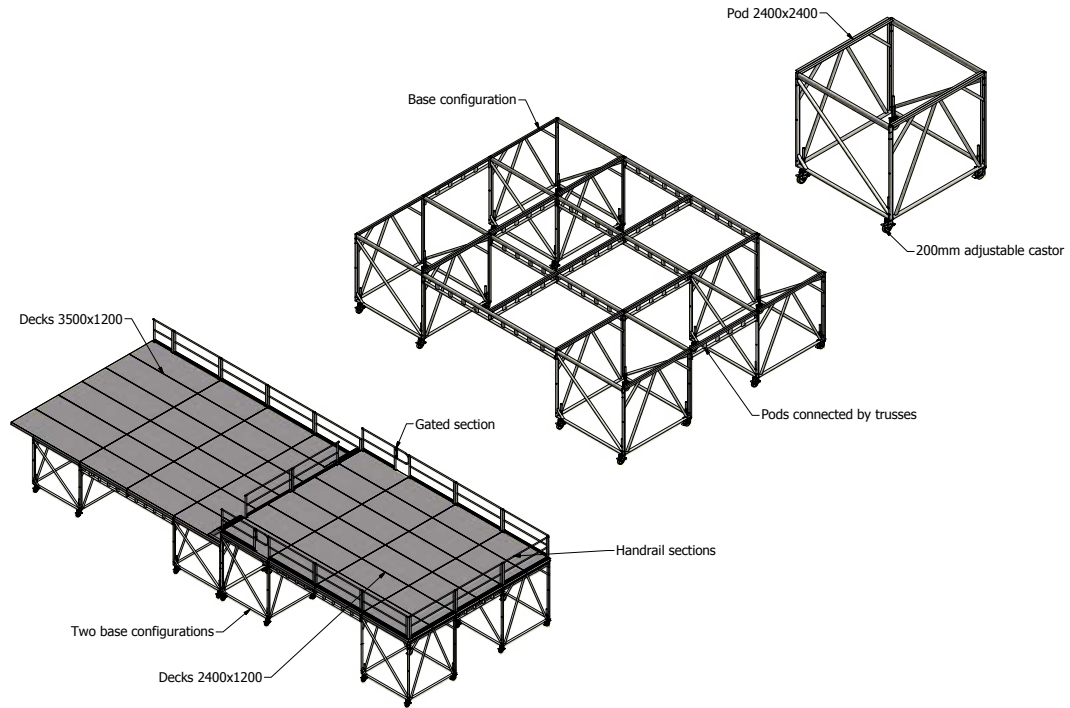
**MULTI PURPOSE
UNDERWING /
WINDSCREEN
ACCESS**



SAFESMART ACCESS PRODUCTS

MOBILE DOCKING SYSTEMS

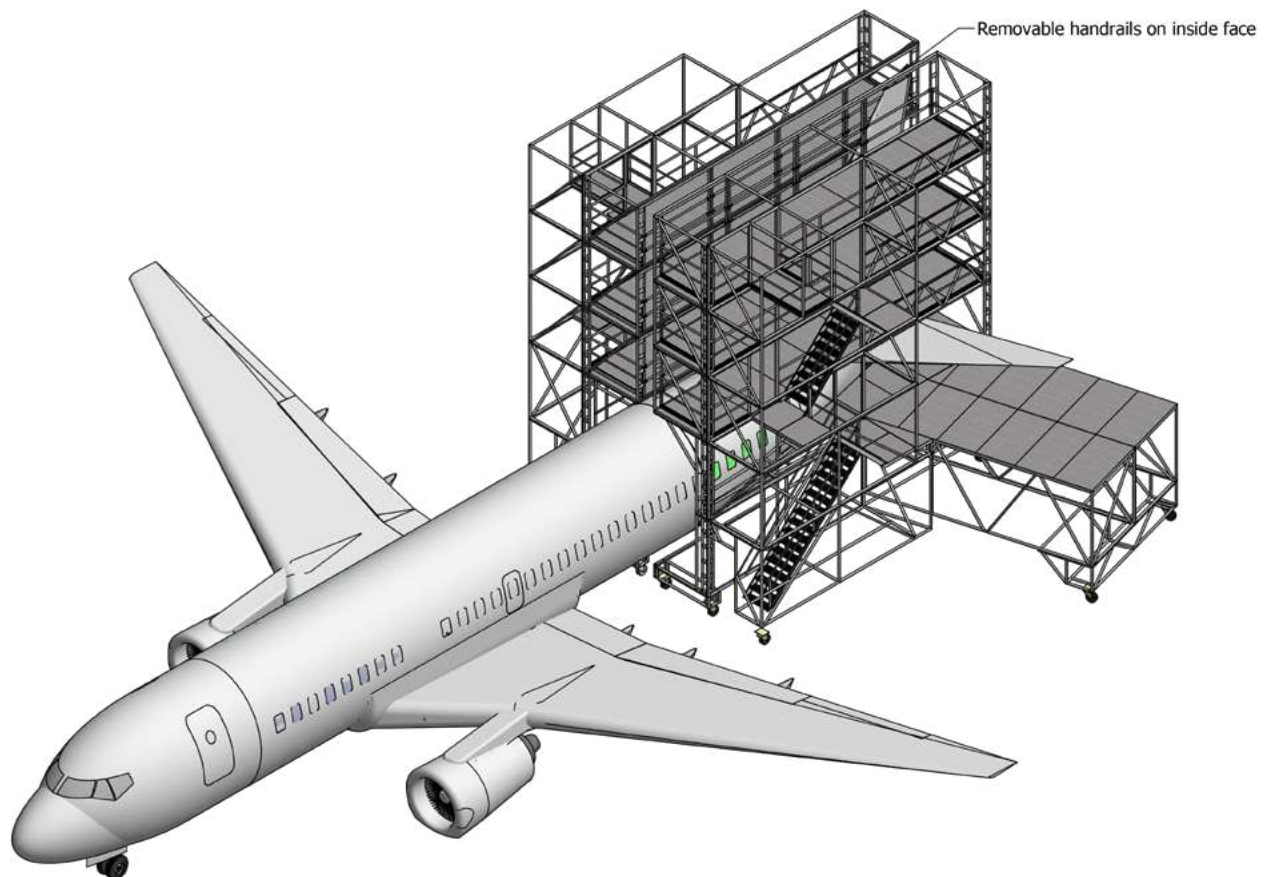
UNDERWING MOBILE DOCKING



SAFESMART ACCESS PRODUCTS

MOBILE DOCKING SYSTEMS

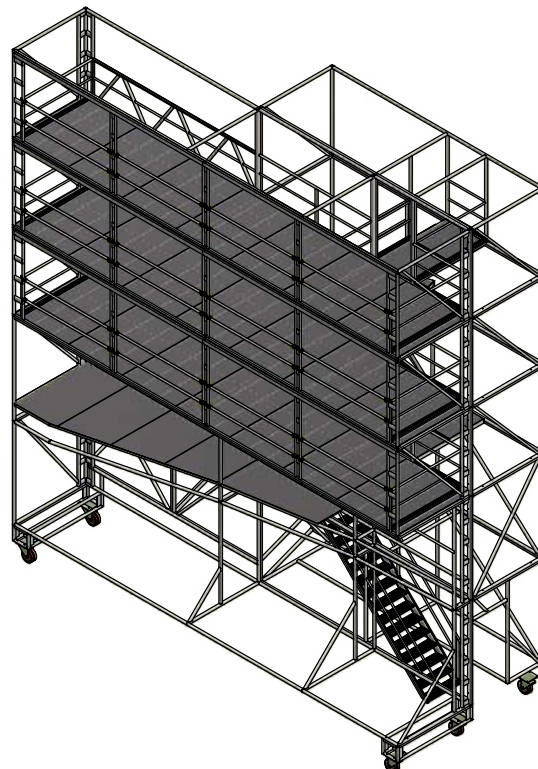
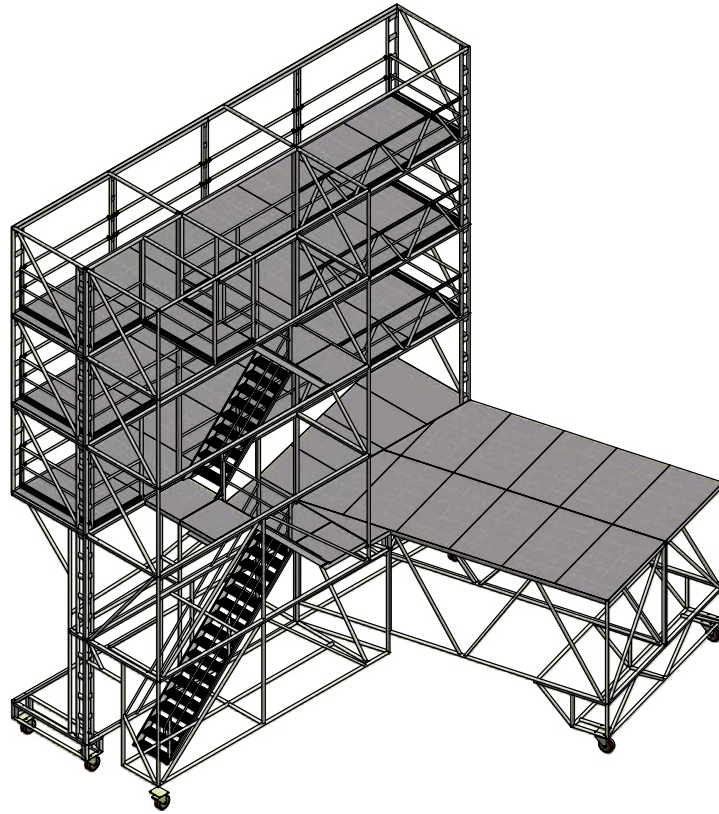
VERTICAL STABILIZER MOBILE DOCKING



SAFESMART ACCESS PRODUCTS

MOBILE DOCKING SYSTEMS

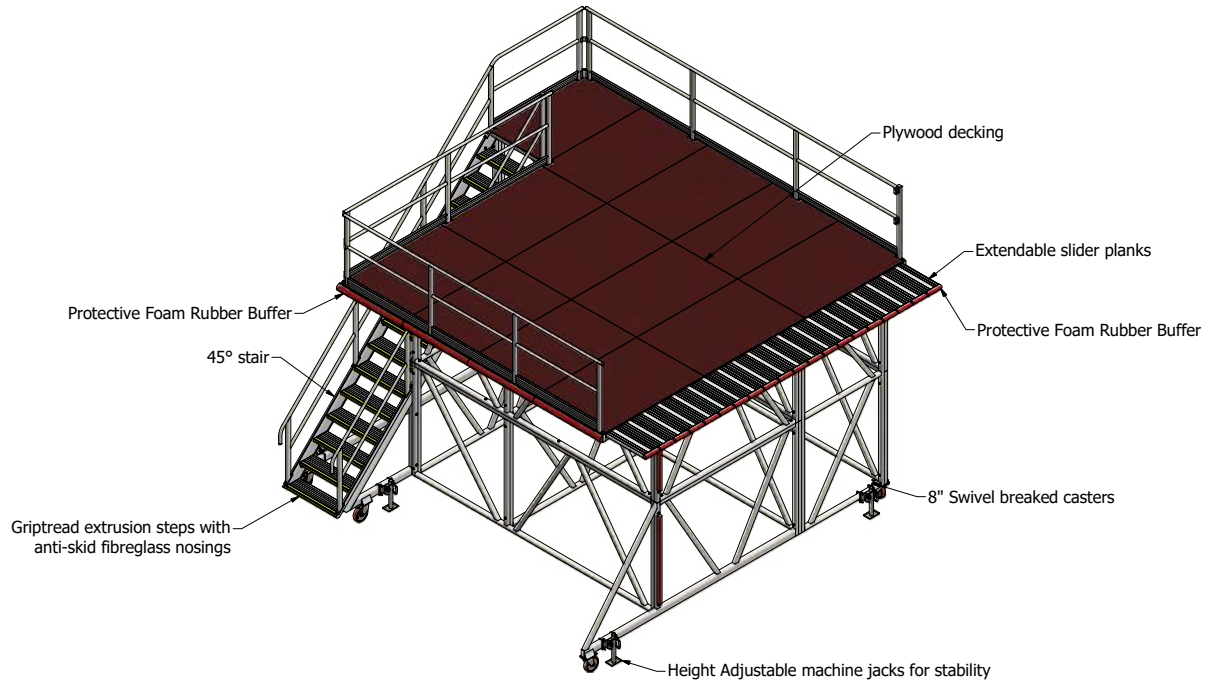
VERTICAL STABILIZER MOBILE DOCKING



SAFESMART ACCESS PRODUCTS

MOBILE DOCKING SYSTEMS

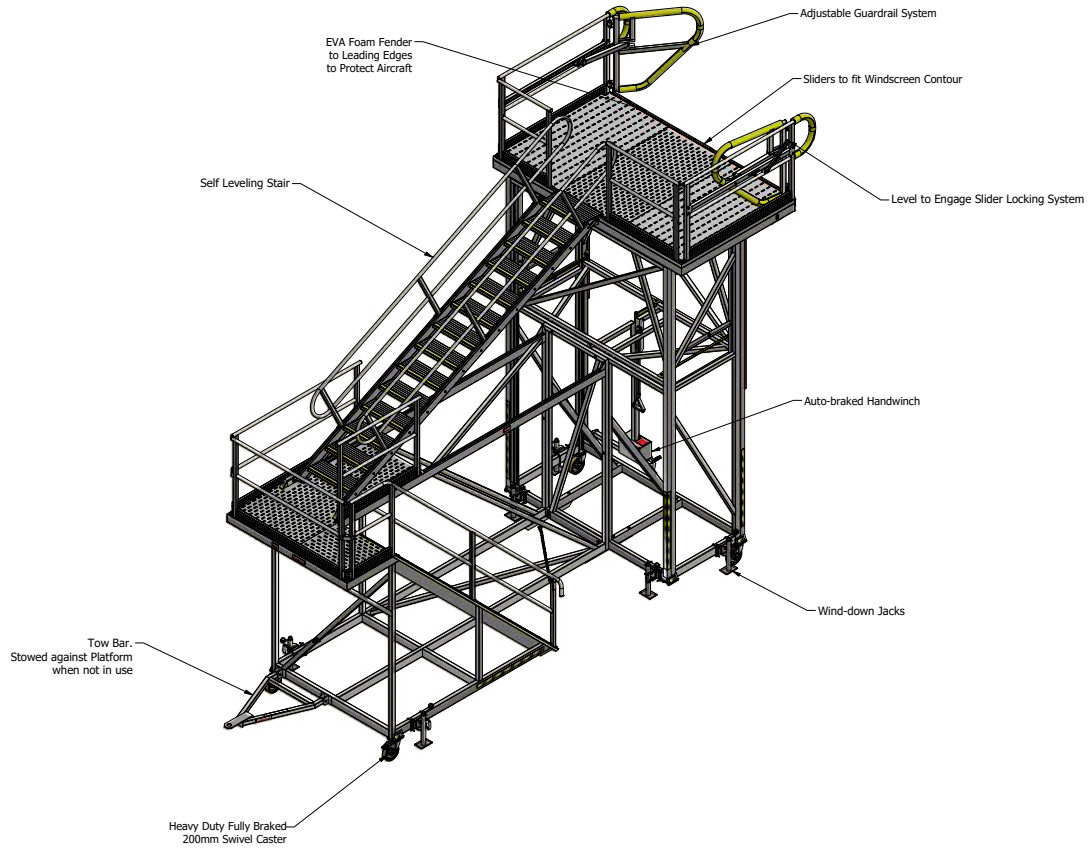
HORIZONTAL STABILIZER MOBILE DOCKING



SAFESMART ACCESS PRODUCTS

MOBILE DOCKING SYSTEMS

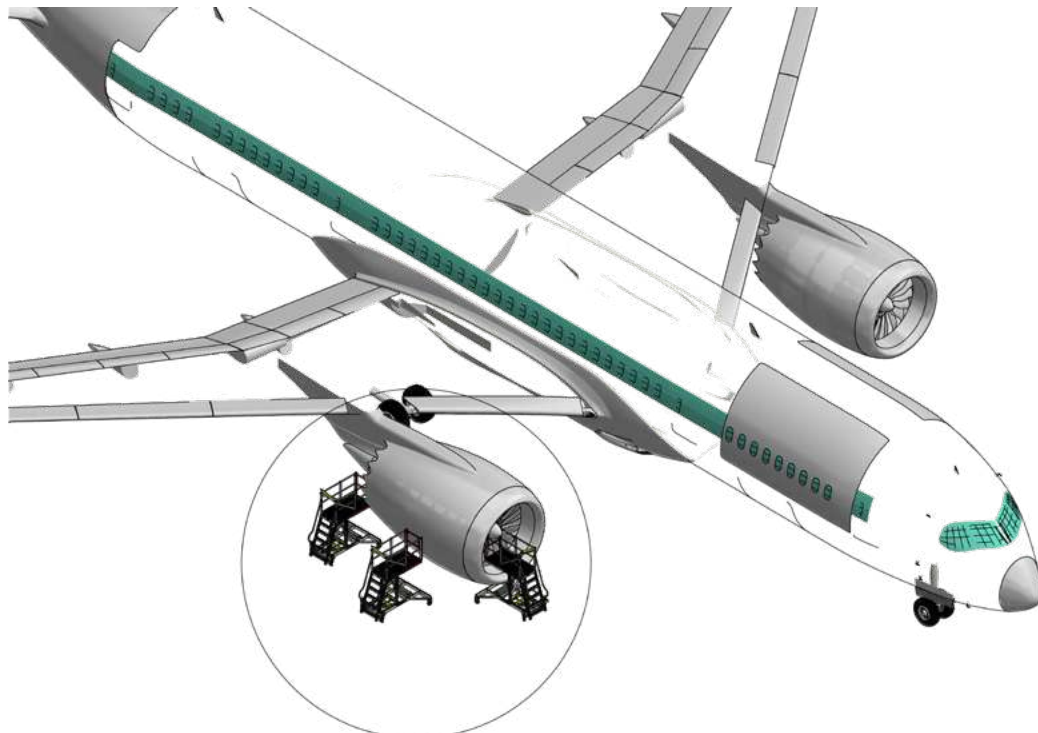
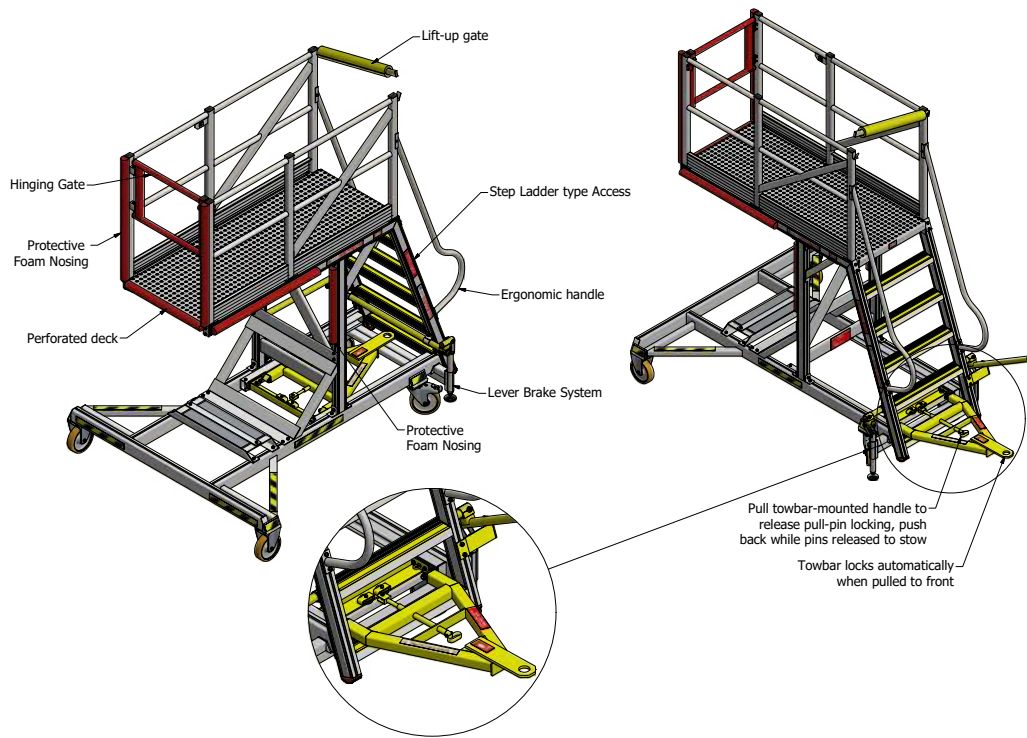
WINDSCREEN CHANGE PLATFORM



SAFESMART ACCESS PRODUCTS

ENGINE ACCESS

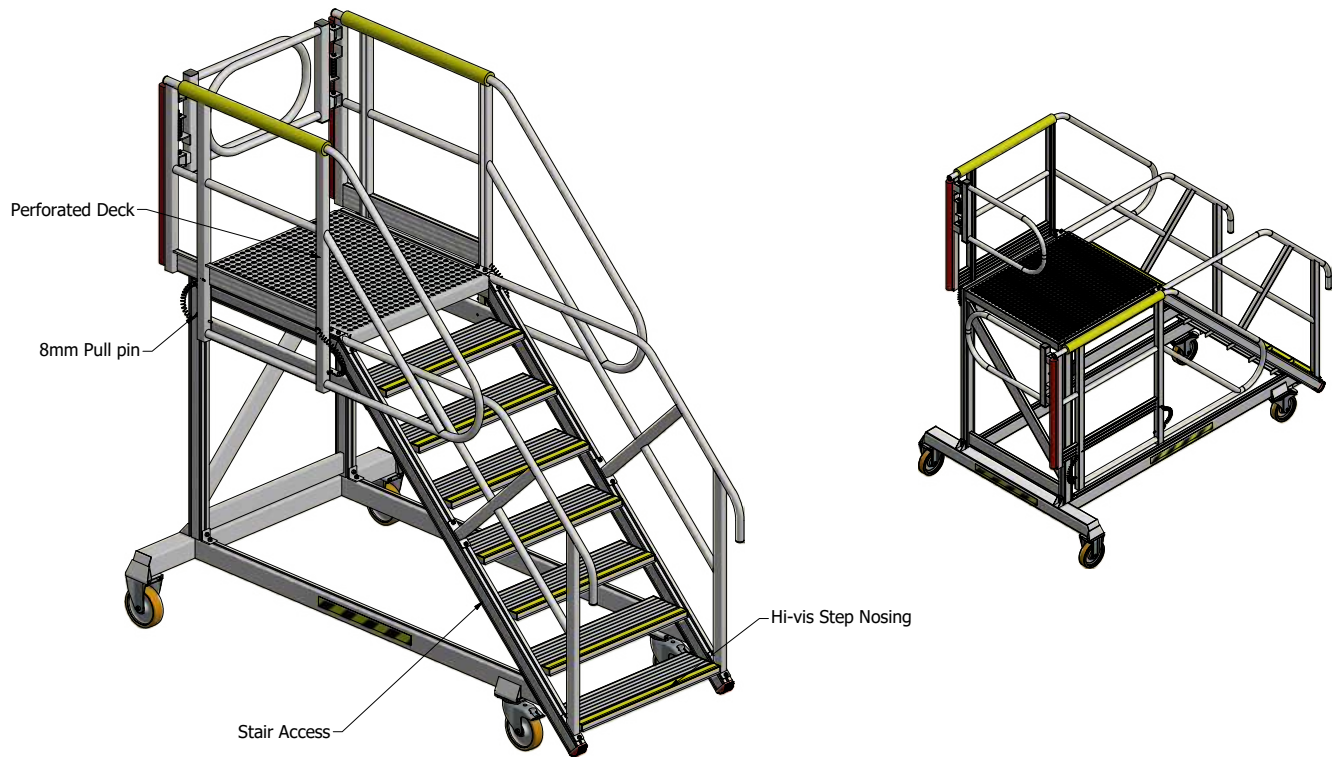
ENGINE INLET / EXHAUST ACCESS



SAFESMART ACCESS PRODUCTS

ENGINE ACCESS

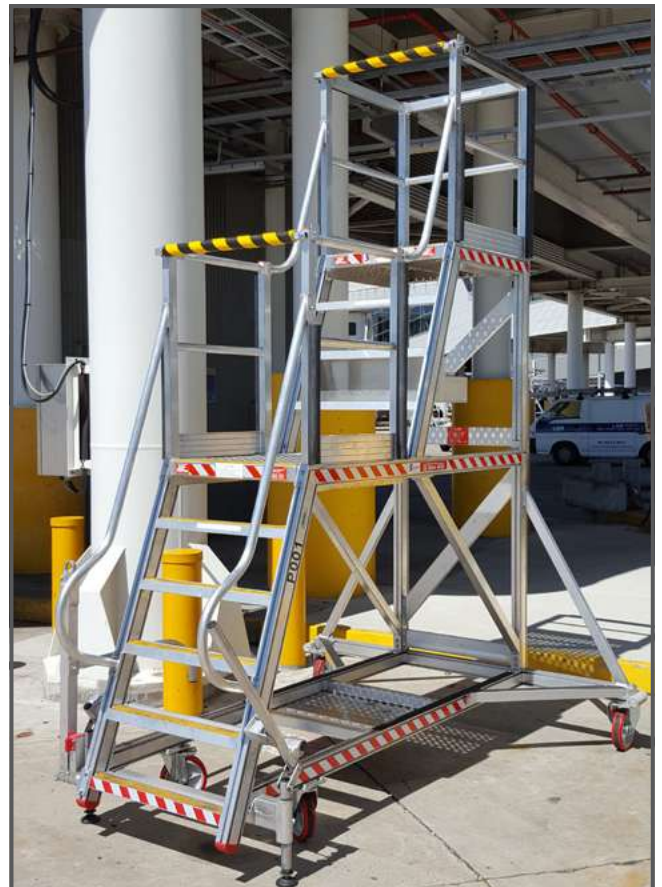
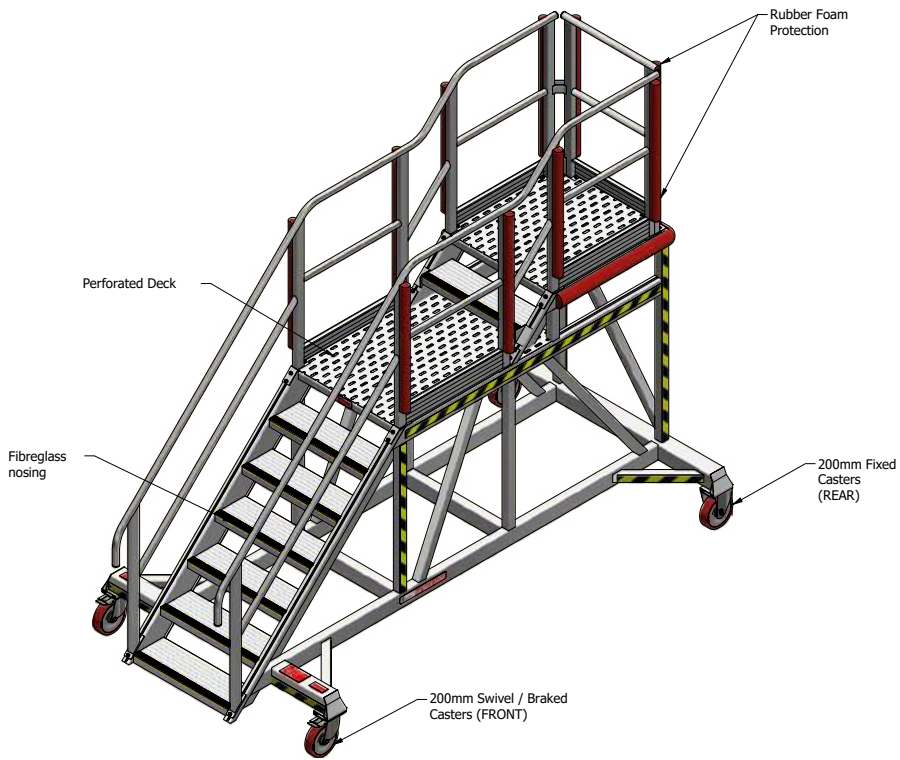
ENGINE OIL CHECK AND CHANGE ACCESS



SAFESMART ACCESS PRODUCTS

ENGINE ACCESS

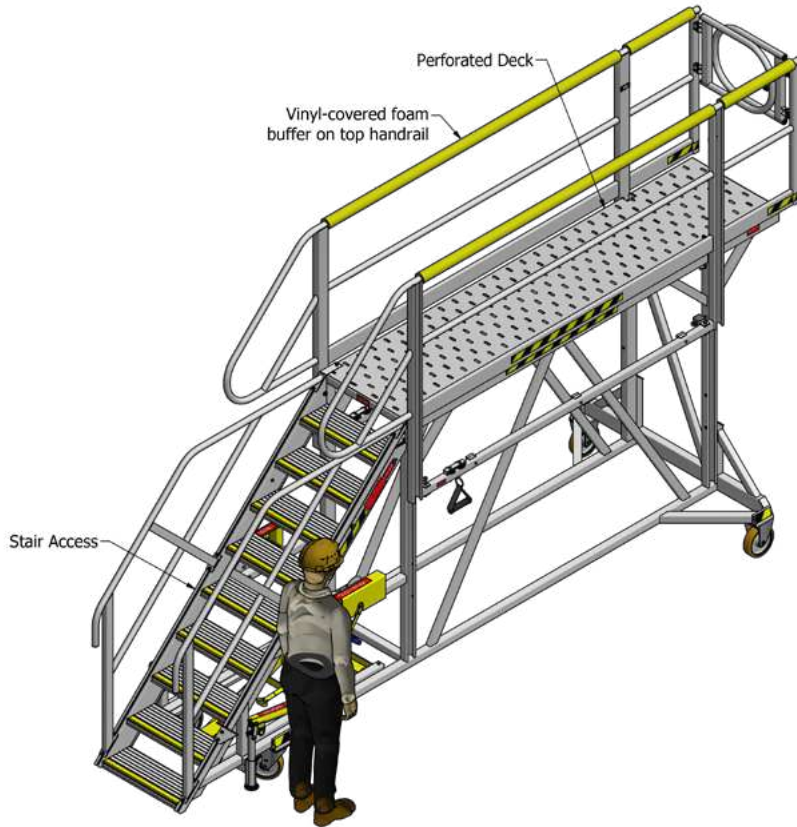
ENGINE OIL CHECK AND CHANGE ACCESS



SAFESMART ACCESS PRODUCTS

ENGINE ACCESS

ENGINE UNDERCOWL ACCESS



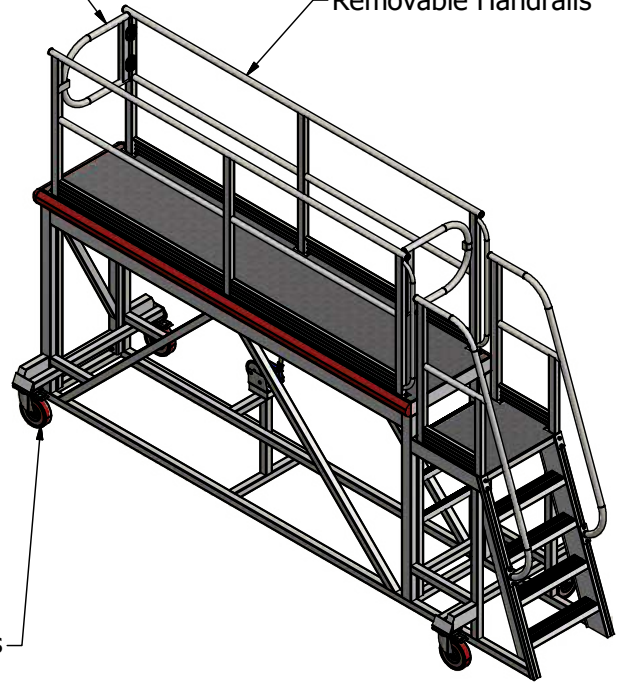
SAFESMART ACCESS PRODUCTS

ENGINE ACCESS

ENGINE UNDERCOWL ACCESS

Self-closing gates

Removable Handrails



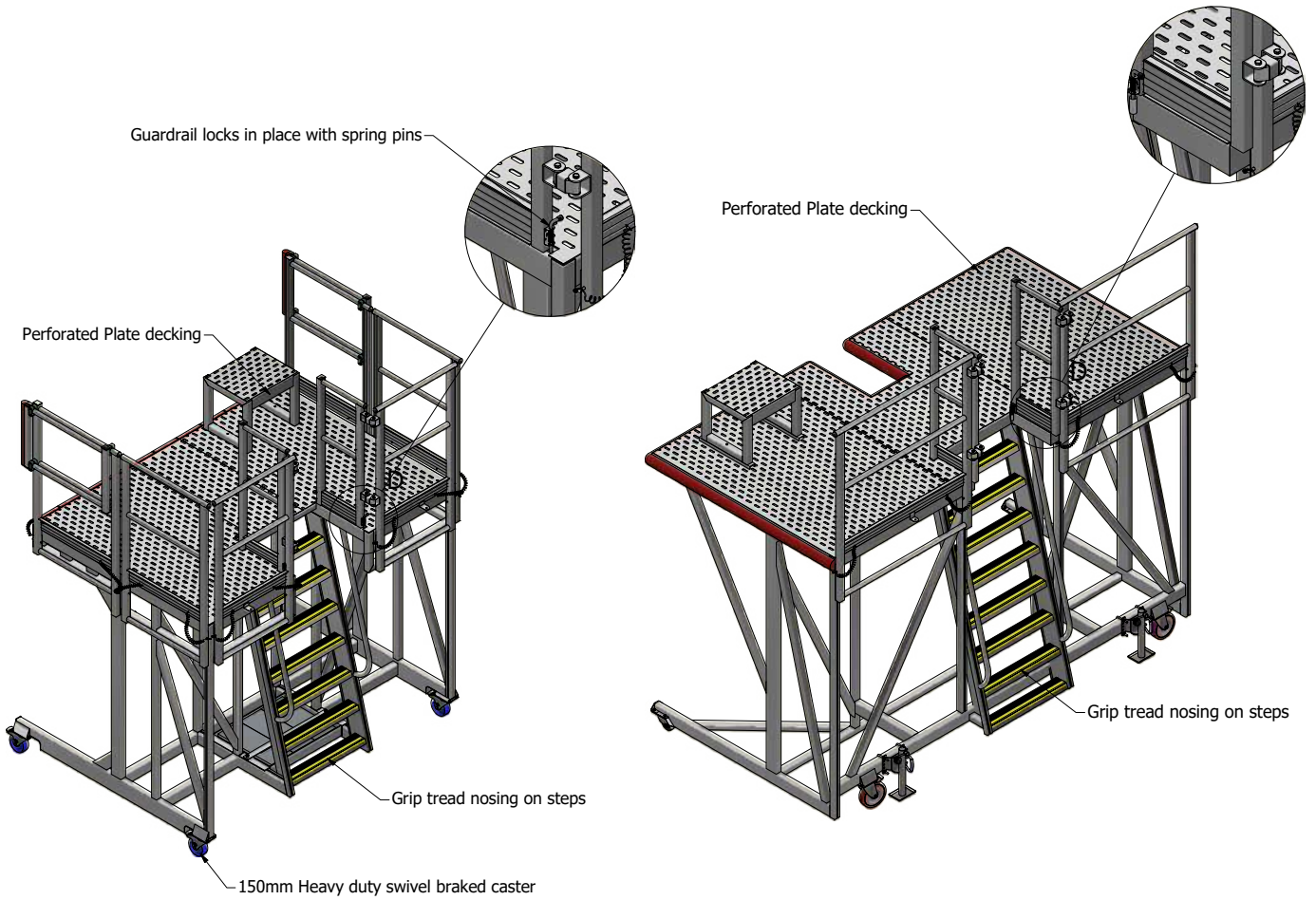
Casters



SAFESMART ACCESS PRODUCTS

LANDING GEAR ACCESS

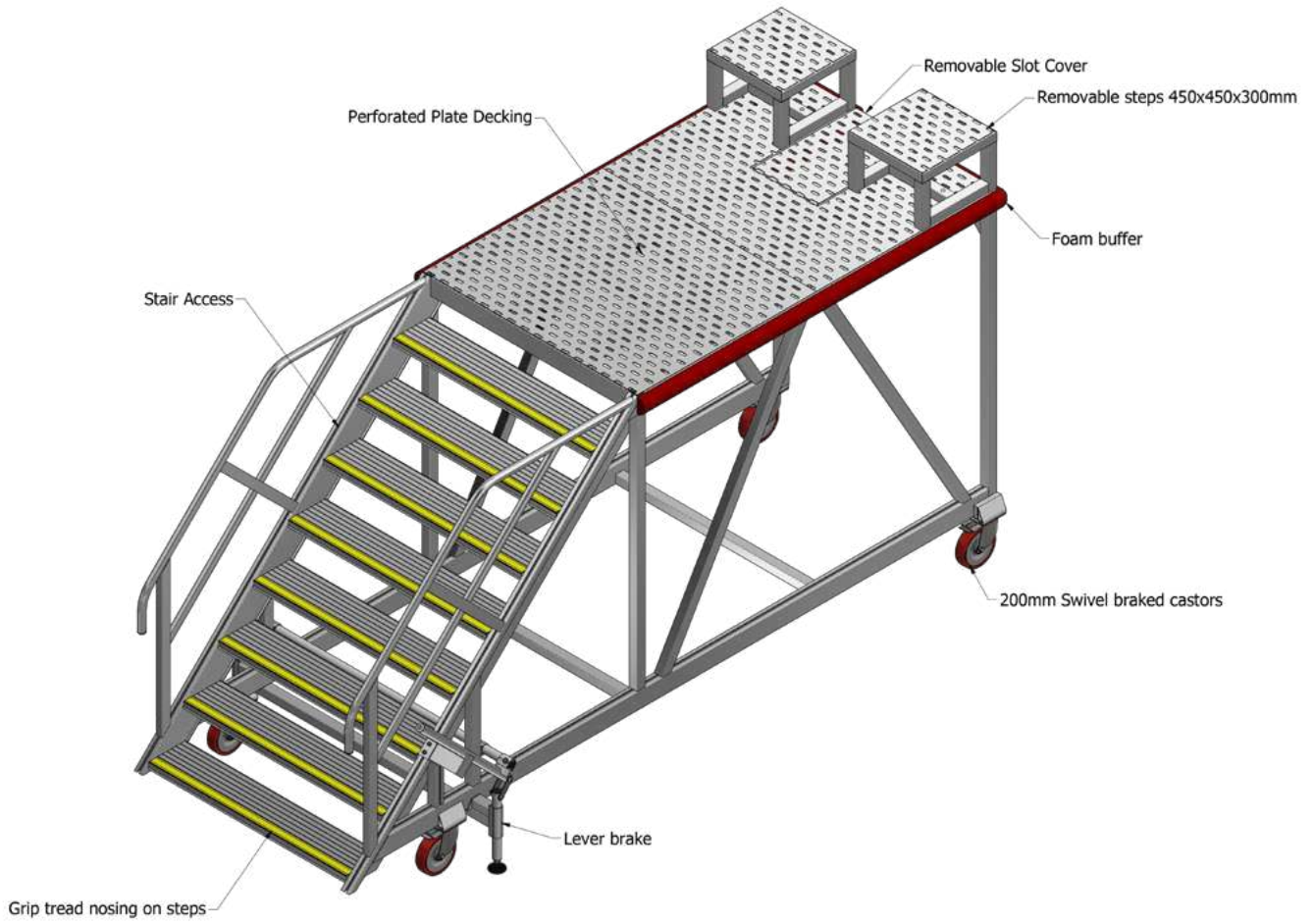
MAIN LANDING GEAR ACCESS



SAFESMART ACCESS PRODUCTS

LANDING GEAR ACCESS

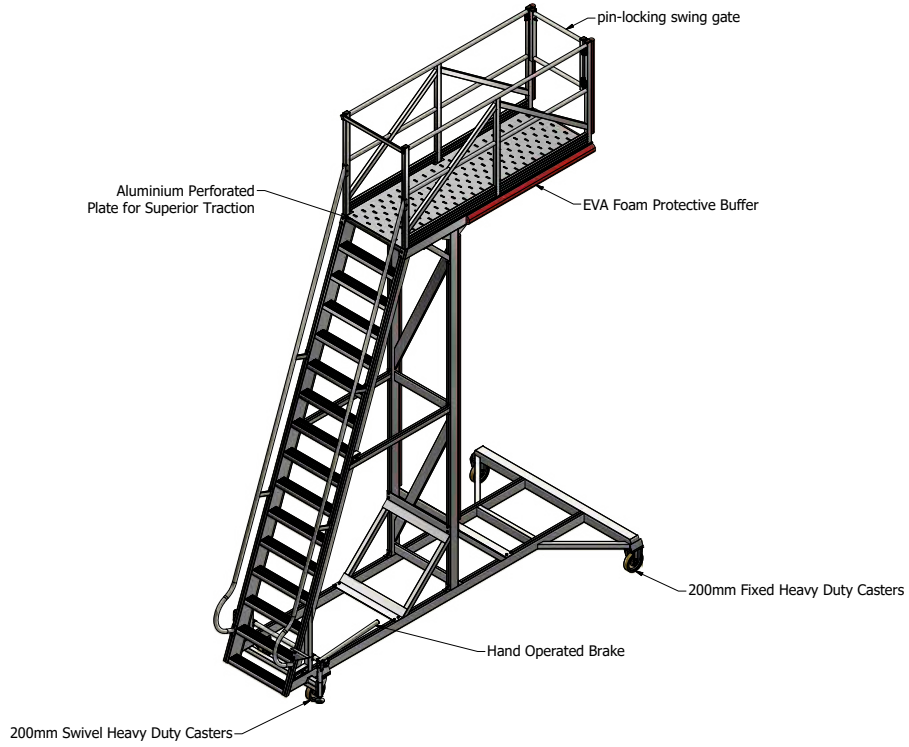
NOSE GEAR ACCESS



SAFESMART ACCESS PRODUCTS

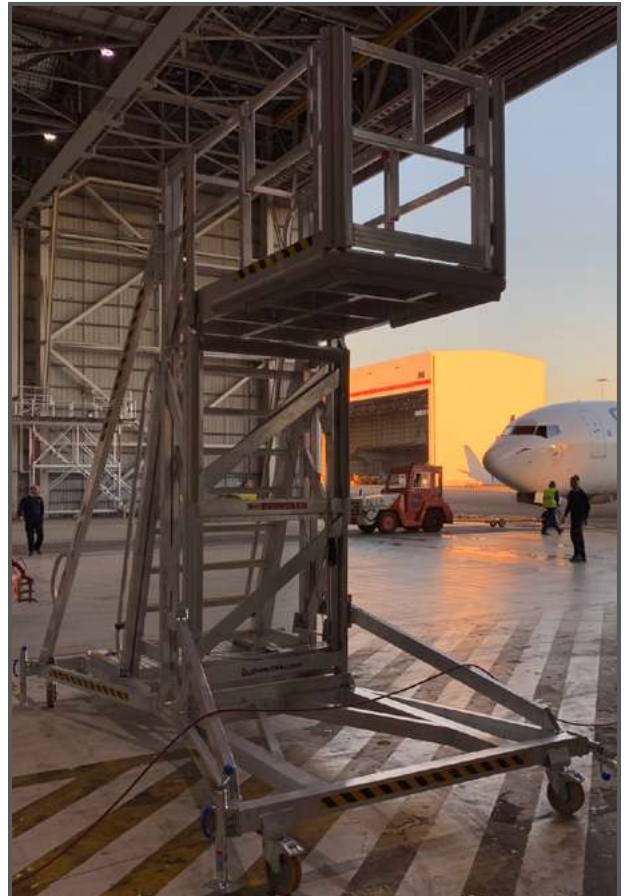
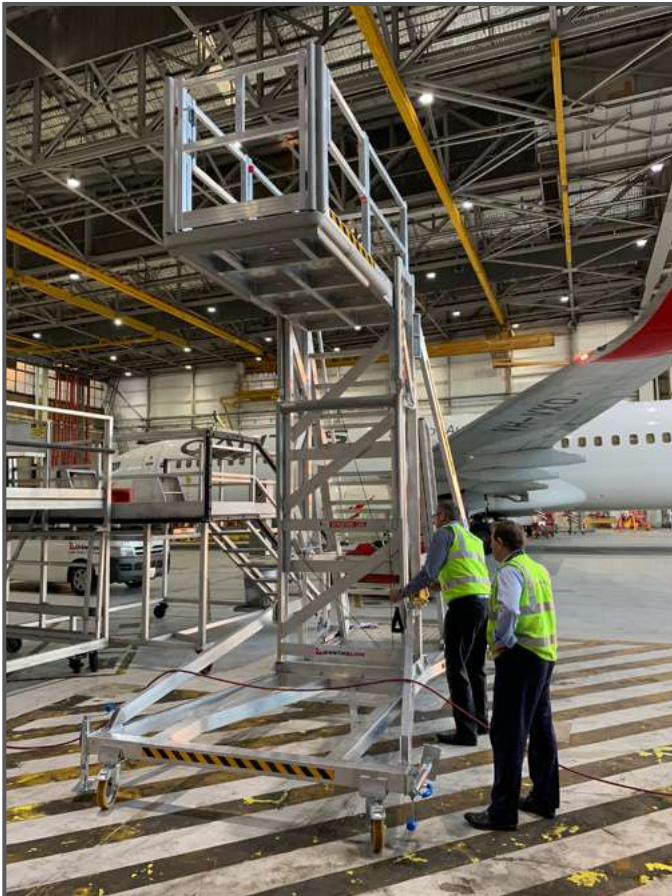
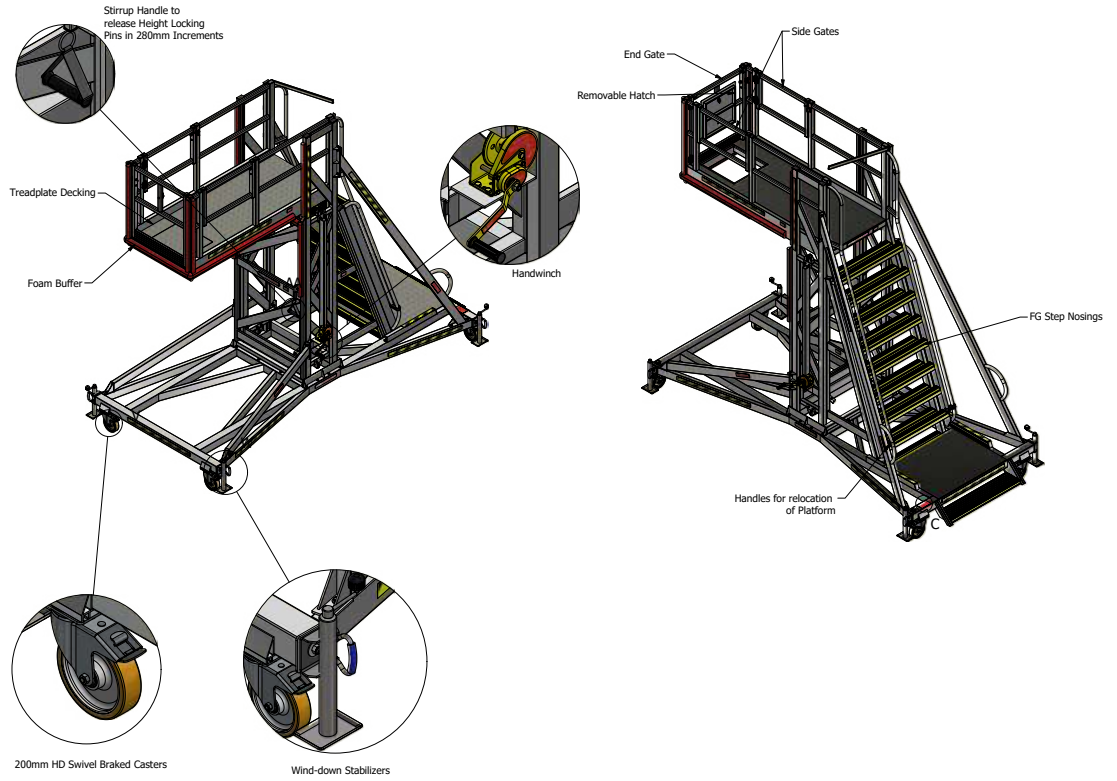
PYLON ACCESS

PYLON ACCESS



SAFESMART ACCESS PRODUCTS OVERWING / FUSELAGE ACCESS

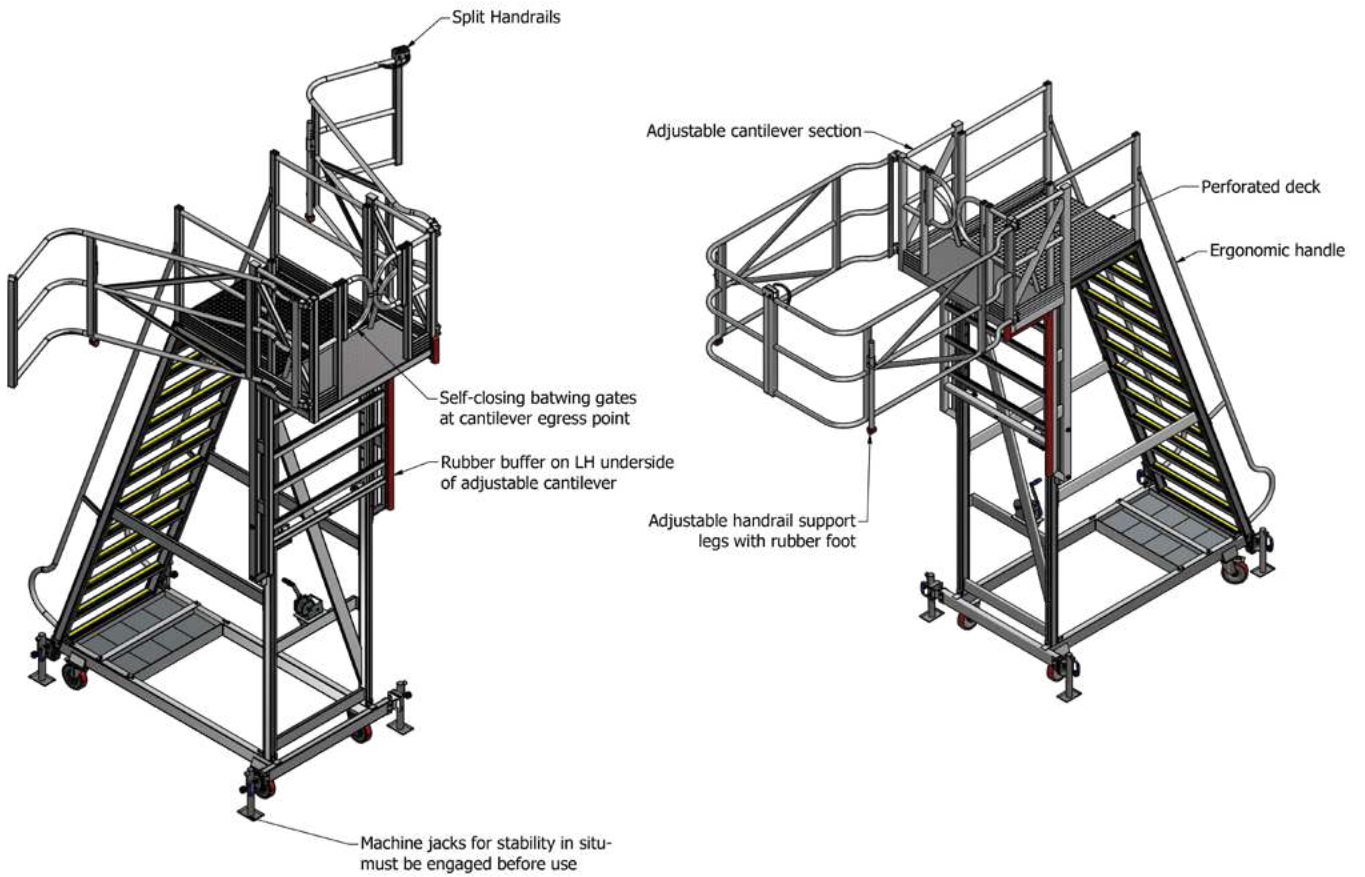
OVERWING / FUSELAGE ACCESS



SAFESMART ACCESS PRODUCTS

OVERWING / FUSELAGE ACCESS

OVERWING / FUSELAGE ACCESS



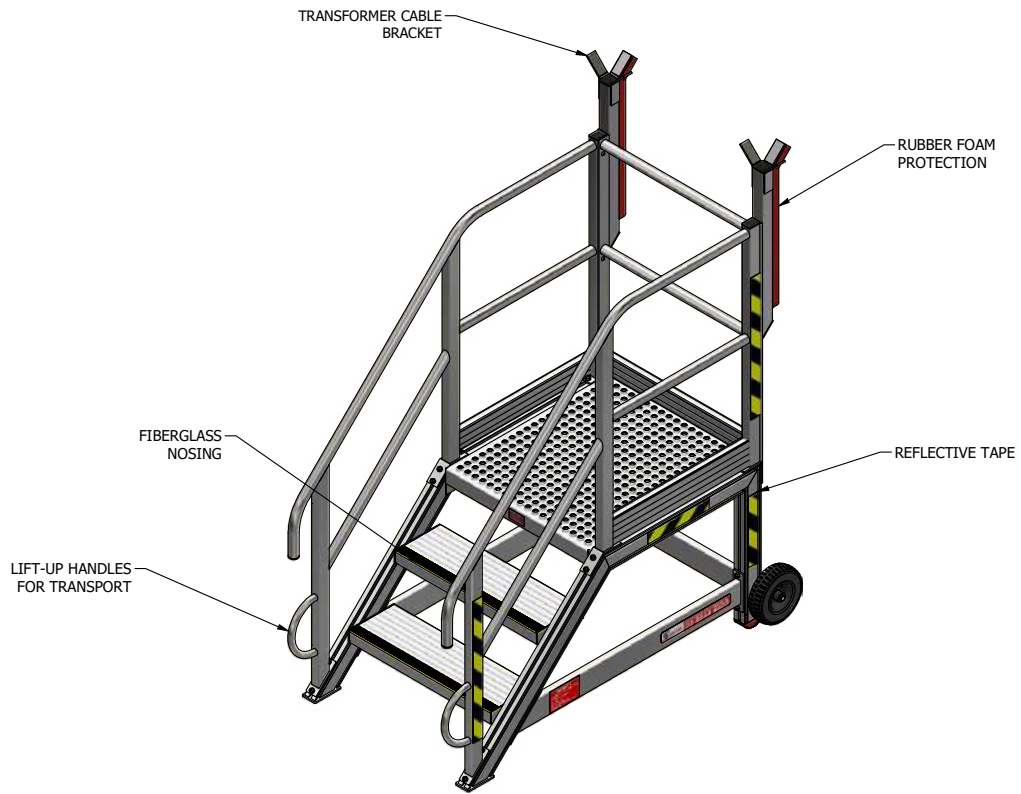
**LEVER
BRAKE**



SAFESMART ACCESS PRODUCTS

TRANSFORMER CABLE ACCESS

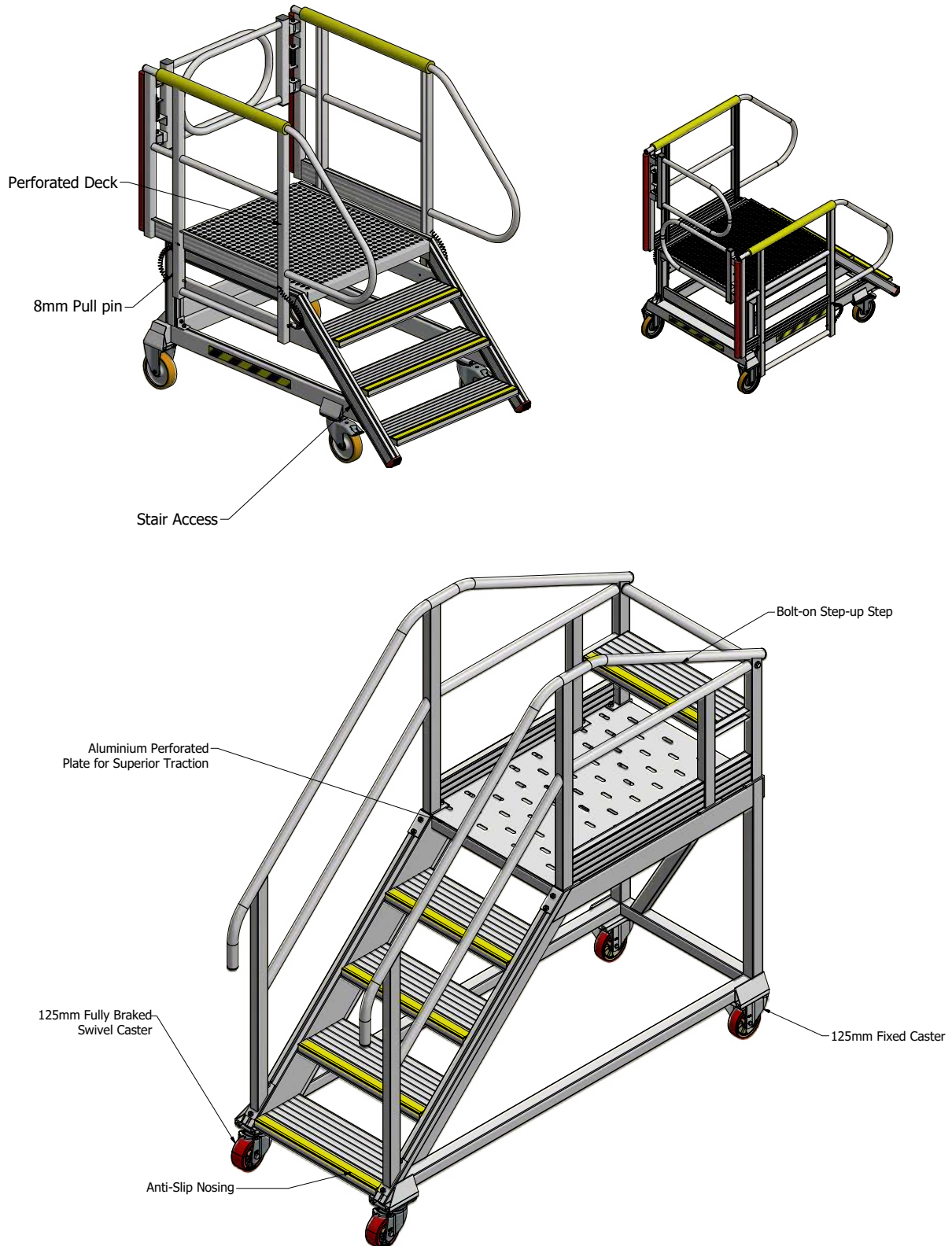
TRANSFORMER CABLE ACCESS



SAFESMART ACCESS PRODUCTS

AVIONICS / E&E ACCESS

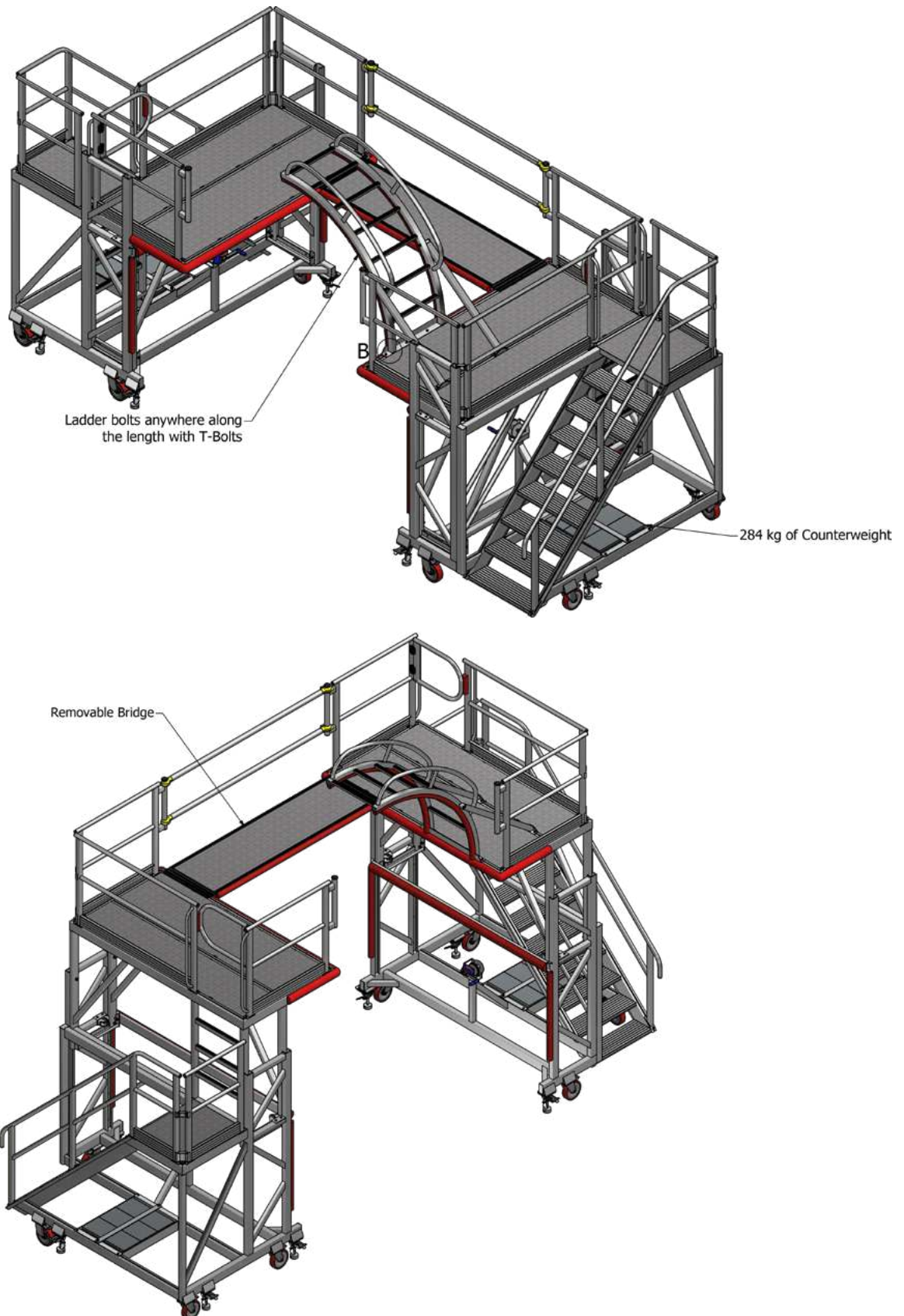
AVIONICS / E&E ACCESS



SAFESMART ACCESS PRODUCTS

ENGINE SHOP PLATFORMS

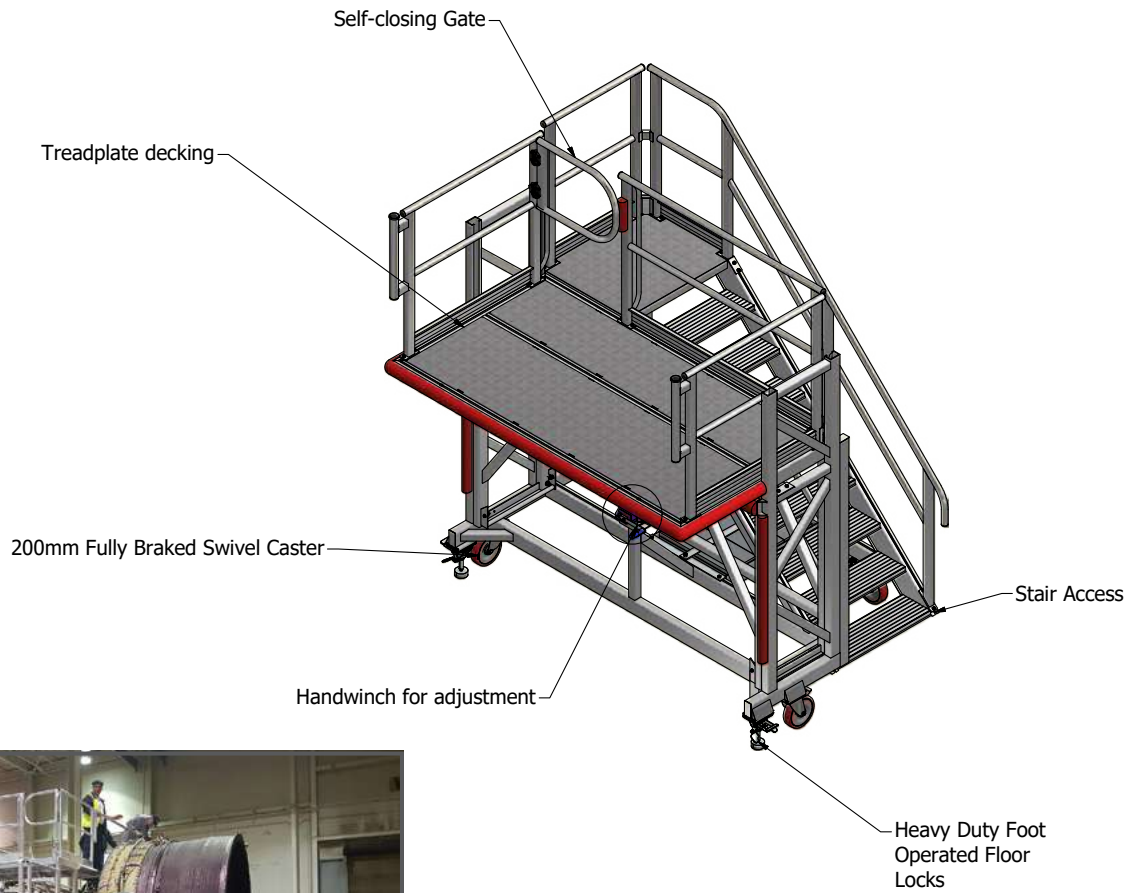
ENGINE CHANGE DOCKING



SAFESMART ACCESS PRODUCTS

ENGINE SHOP PLATFORMS

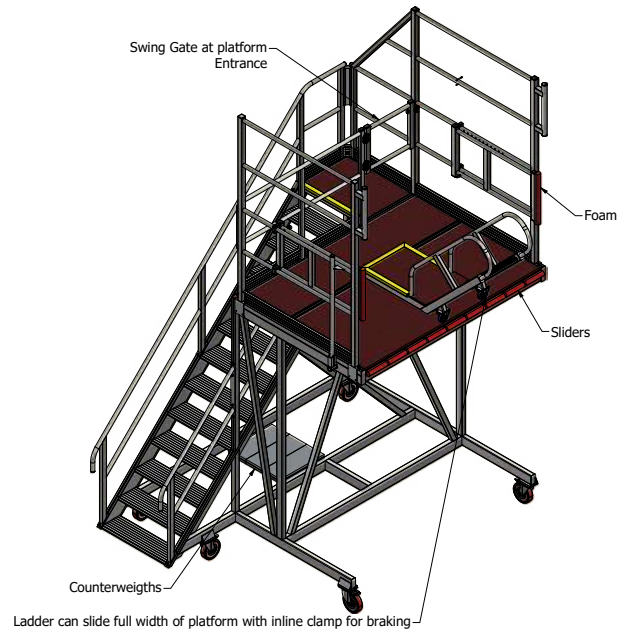
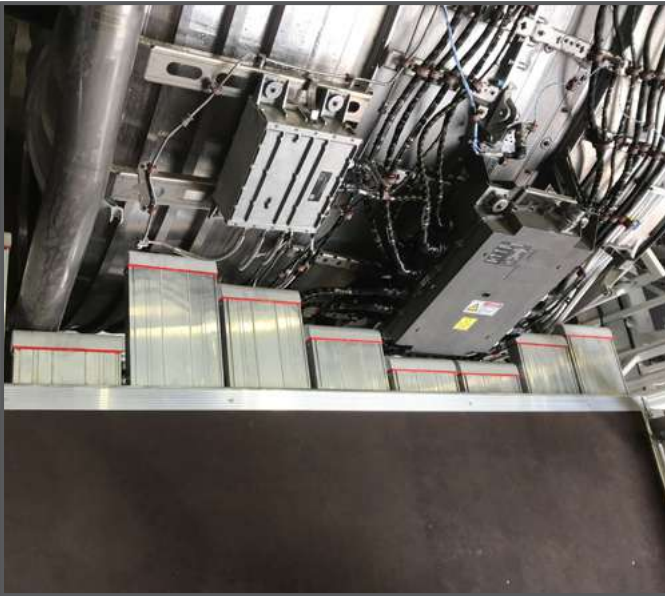
ENGINE CHANGE DOCKING



SAFESMART ACCESS PRODUCTS

ENGINE SHOP PLATFORMS

ENGINE CHANGE DOCKING



SAFESMART ACCESS PRODUCTS

ENGINE SHOP PLATFORMS

CURVED ENGINE ACCESS LADDERS



SAFESMART ACCESS PRODUCTS

ENGINE SHOP PLATFORMS

GENERAL PURPOSE PLATFORMS



TERMS & CONDITIONS

1. Copyright SafeSmart Access 2020. ABN 20 024 050 645 - No part of this publication maybe reproduced without the written permission of SafeSmart Access.
2. SafeSmart Access has made every effort to portray accurate descriptions and information within this documentation. No liability is accepted in the event of errors or omissions.
3. Where specifications are provided they are intended as a guide only. Please enquire from our staff for full details of product at time of enquiry.
4. Products may be deleted, amended, substituted or changed at the sole discretion of SafeSmart Access.
5. The customer/user must establish the suitability of the product purchased for their own safe use.
6. Trade Marks. Where any registered trade mark has been used it is with recognition of the owner's right.
7. Any measurements shown are intended as a guide only. Please confirm any critical measurement with SafeSmart Access.



CONTACT DETAILS

SafeSmart Aviation Headquarters
65 Atkins Road, Ermington
NSW, AUSTRALIA, 2115
Phone: 02 8844 4500

SafeSmart Aviation - Melbourne
65 Atkins Road, Ermington
NSW, AUSTRALIA, 2115
Phone: 1800 021 022

SafeSmart Aviation - NZ
334 State Highway 12,
Maungaturoto, Northland
Phone: 0800 000 448

SafeSmart Aviation - New York
480 Meadow Ln
Carlstadt, NJ 07072
Phone: + 1 844 660 8852

SafeSmart Aviation - Los Angeles
13238 Florence Avenue
Santa Fe Springs, CA 90670
Phone: + 1 310 299 8612

SafeSmart Aviation - UK
3 Mulberry Way,
Belvedere, London, DA17 6AN UK
Phone: +44 8453 821 000

SafeSmart Aviation - Canada
628 Henderson Drive,
Regina
Saskatchewan
S4N 5X3 Canada
Phone: +1 866 635 8818

#A00001 SSA Aviation 05_20

WORLDWIDE

www.safesmartaviation.com
sales@safesmartaviation.com